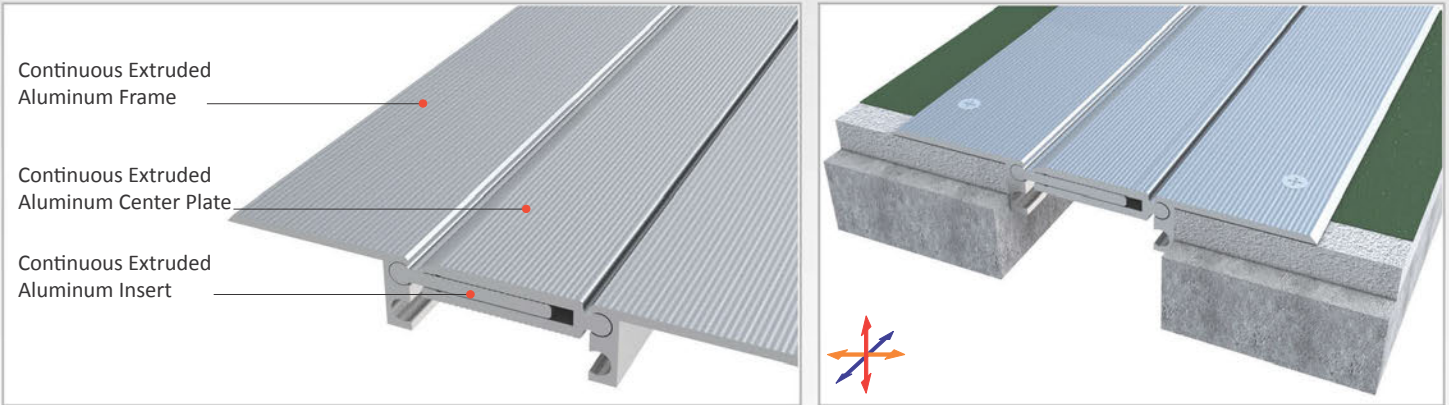


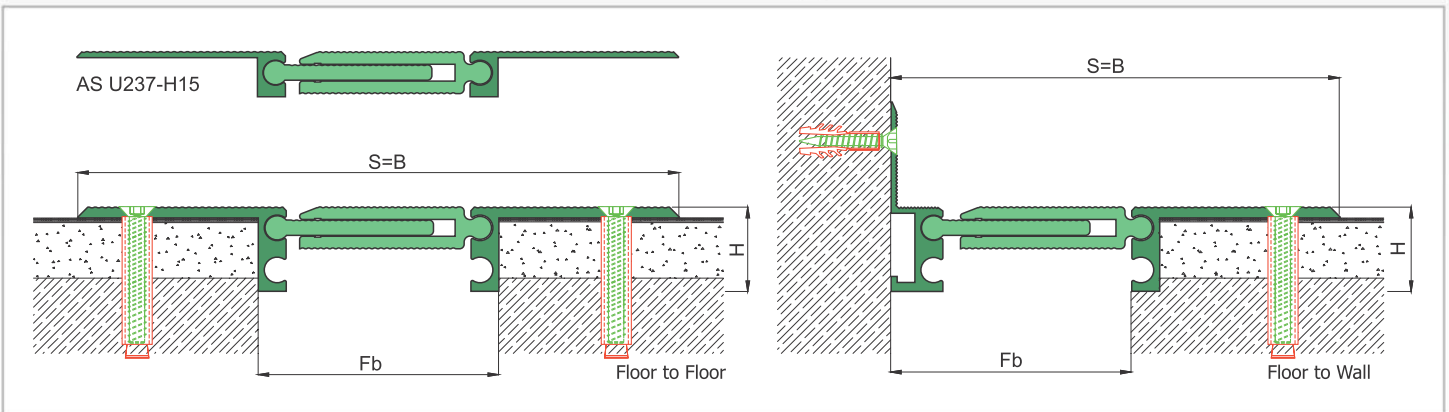


AS U237 surface mounted floor profiles are applicable to all types of floors and load bearing capacity is designed for heavy vehicles, cars or pedestrian depending on the gap required. Pure metal structure characterizes AS U237 as a hardwearing & maintenance free profile and makes it ideal for the places with heavy pedestrian traffic. Striated surface finish ensures antislip and round-headed articulated design enables the profile to meet displacements in 3 directions. Profiles are delivered factory-assembled and for some gaps soft EPDM tape is placed on the center plate to align the distance between the side frames. For flush mounted applications AS A227 model is available.

- Application Areas** : Indoor & Outdoor / Floor
- Ideal for** : Factories, Warehouses, Car Parks, Airports, Shopping Malls, Hospitals, Commercial & Public Buildings etc.
- Material** : Mill Finish Aluminum (Anodizing optional), Soft EPDM tape
- Aluminum Alloy** : 6063 AA-USA / EN AW 6063
- Optional Supplies** : Fire Barrier, Waterproof EPDM membrane



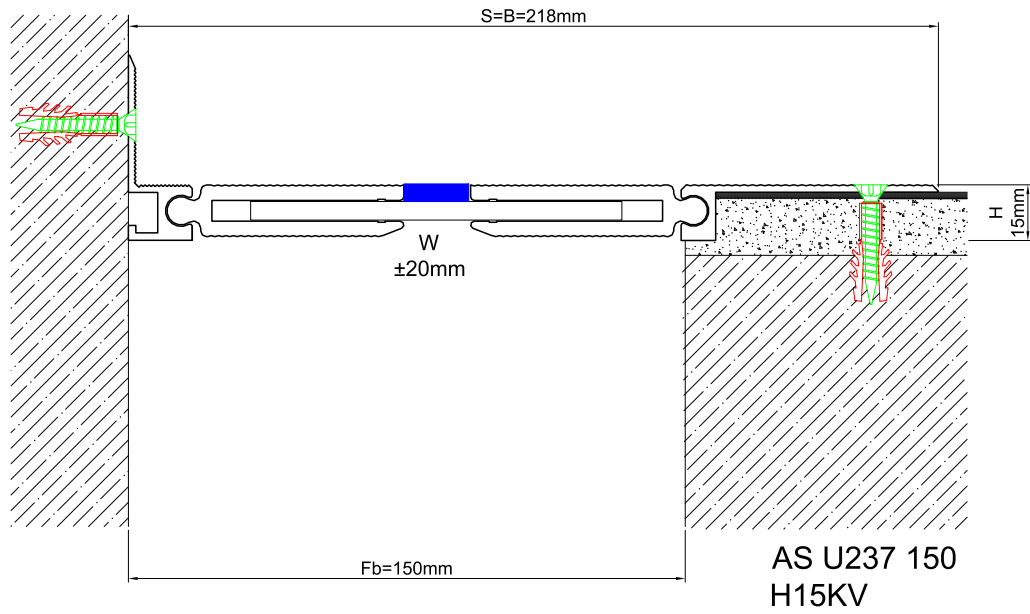
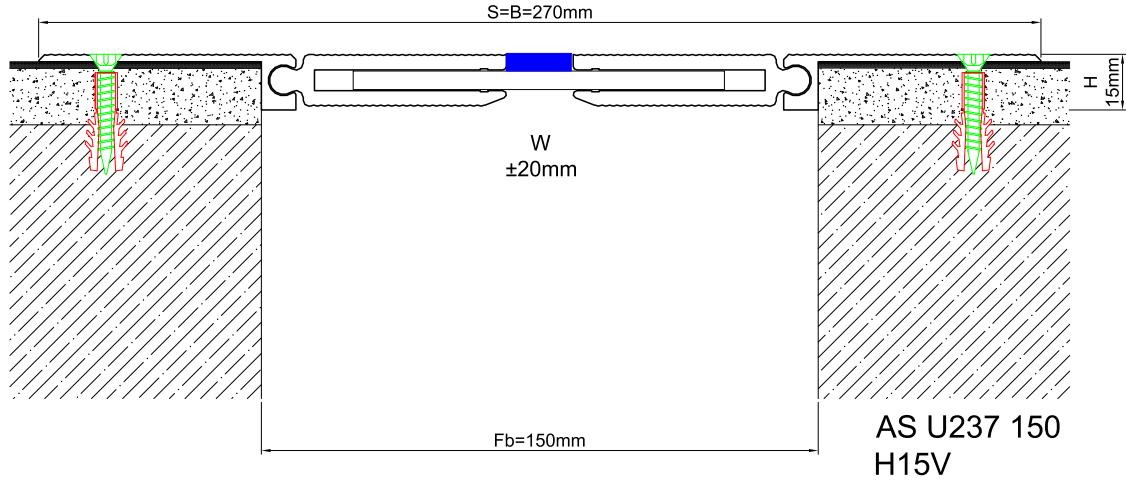
**FLOOR**



\* Visuals are representative and the profile configuration may differ depending on the characteristics requested.

LOCATION	MODEL	GAP (Fb) mm	HEIGHT (H) MM	OVERALL WIDTH (B) mm	VISIBLE WIDTH (S) mm	MOVEMENT (W) mm	LOAD CAPACITY	STANDARD LENGTH (mt)
Floor to Floor	AS U237-055	55	15	175	175	± 5		3
	AS U237-055	55	28	175	175	± 5	35 kN  90 kN	3
	AS U237-080	80	15	200	200	± 4		3
	AS U237-080	80	28	200	200	± 4	25 kN  50 kN	3
	AS U237-100	100	15	220	220	± 12		3
	AS U237-100	100	28	220	220	± 12		3
	AS U237-120	120	15	240	240	± 18		3
	AS U237-120	120	28	240	240	± 18		3
	AS U237-150	150	15 / 28	270	270	± 20		3
	AS U237-200	200	15 / 28	320	320	± 16		3

Note: Please ask for different sizes



Profil No Profile Number	AS U237 150	AS U237 150K
Fb (mm)	150	150
H (mm) yaklaşık approx.	15	15
W± (mm) yaklaşık approx.	±20	±20
Renk Color	Alüminyum: Natürel Aluminum: Natural	
Malzeme Material	Alüminyum Aluminum	
Standart Uzunluk Standard Length	3	
Yükleme Kapasitesi Load-Bearing Capacity	